

D7124

Desktop Digital Conference Meeting Microphone System

Delegate Unit



Description

D7124 Desktop Digital Conference Meeting Microphone System Delegate Unit adopts electret cardioid directional condenser microphone with a two-color indicator (red for speaking, while green for applying for speaking). With three microphone rods optional, it can be applicable to various conference venues with different needs. D7123 is a desktop speech chairman MIC and has a priority function, while D7124 is a desktop speech delegate MIC.

Features

- Speak-only conference unit.
- Comes with a 2 meter dedicated high-density cable and an RJ45 universal network plug.
- The electret core type pointing capacitive pickup with a two-color indicator (red/green). It is red when speaking, and it is green when applying for speaking.
- A rotary plug microphone rod is adopted, mini-microphone.
- There are square, oval, and goose-neck rod; The square rod is aluminum alloy with 186mm in length, the oval microphone rod is 182mm in length, and the goose-neck rod has black and silver color, with 315mm, 415mm in length.
- The microphone rod can be dismounted during the adjournment for maintenance and storage.
- Super anti-interference ability toward mobile phones.
- There are microphone-on/off touch keys and the chairman unit has the chairman priority touch key.
- With sign-in function by pressing the button.
- Each conference unit has a unique ID number.
- Together with the camera, the camera can be automatically tracked when set up using the digital Conference system host or PC control software.
- In conjunction with the control panel, the unit has a self-detection function. The items tested are: Keys, microphone, LED indicators, and built-in speakers.
- The unit is a passive device that is powered by the system host or POE switch, and the input voltage is +48V.
- The chairman unit has a priority function (all delegate units can be muted or turned off), and a lectern

mode (the chairman unit is always on) with the host settings.

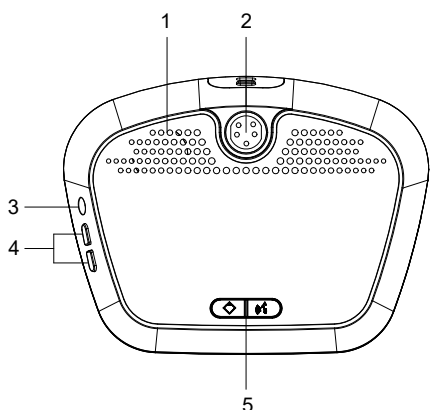
- The Chair module has the function of approving a delegate's request to speak.
- The Chairman unit can be opened freely without limitation on the number of speakers and has unlimited connection locations.
- The Chairman unit has the priority function of having full control of the order of the conferences.

Specifications

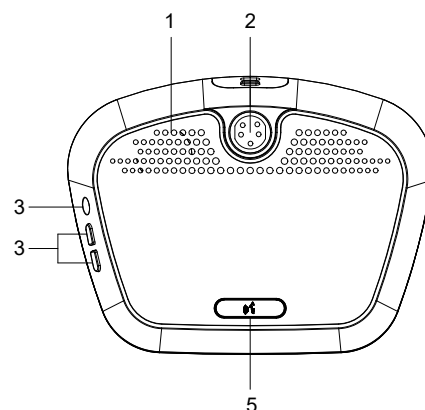
Model		D7123/D7124
Structure Type		Desktop
Effective Frequency Range of Gain Limit (±3dB)	MIC A to MIC B	50Hz-14kHz
	Host LINE to MIC	30Hz-18kHz
	MIC to Host LINE	40Hz-16kHz
Speaker Power		1.5W
Static Power Consumption		<6W
Maximum Power Consumption		8W
SNR		>75dB
Crosstalk Attenuation		>80dB
Harmonic Distortion		<0.5%
Headset Output		9dBu, 8-32Ω, 3.5mm
Working Power		Host +48V power supply or +48VPoE Switch power supply
Unit Interface		Network interface
MIC	Microphone Type	Electret cardioid condenser
	Sensitivity	-30dBV/pa
	Input Impedance	2kΩ
	Equivalent Noise	20dB(SPL)
	MAX. SPL.	125dB(THD<3%)
Package Dimensions (W×D×H)		485×280×120 mm (2 PCS/ Per Carton)
Machine Dimensions (W×D×H)		175×133×46mm
Gross Weight		2.4kg
Net Weight		0.62kg

Front / Rear Panel

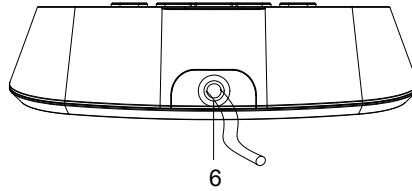
Buttons and indication functions



Top View of Chairman Unit



Top View of Representative Unit



Side View of Chairman Unit / Representative Unit

1. Built-in Speaker Unit

- The volume used to output the sound of other units speaking and auxiliary input audio can be adjusted by this unit or by the conference head unit and the remote control software.
- The speaker is automatically muted when the microphone is turned on and the headset is plugged in.

2. Microphone Connector

- Dismantle 5-pin screw microphone connector.

3. Headphone Jack

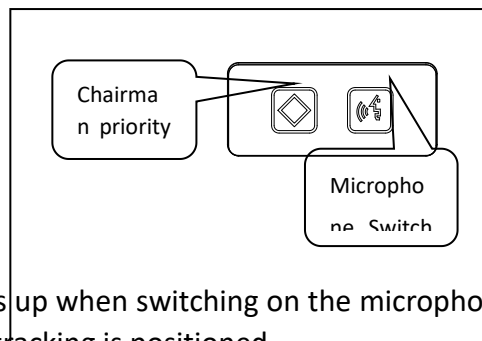
- Connect it with a 3.5mm plug.

4. Volume Adjustment Button

- Used to adjust the volume of headphone and speaker.

5. Microphone Switch Button and Indicator Light

- On/off button of delegate unit microphone / button for speaking request and indicator light. The indicator lights up when the key is pressed to switch on the microphone; flashes when the button is pressed to make a speech request, when the unit is renumbered and when the camera tracking is positioned.
- Chairman unit microphone switch button and chairman priority function keys and indicator lights.



- The indicator lights up when switching on the microphone, flashes when the unit is renumbered and when the camera tracking is positioned.
- Press the Chairman priority button to mute or turn off the working unit

6. RJ45 Network interface cable

The unit can realize functions such as power supply, audio transmission and control by connecting to the host or PoE +48V switch. The length of this cable is 2 meters, and it needs to be connected with an extension connector after it exceeds 2 meters (It is recommended to be no longer than 90 meters), as shown in the figure below.

