

D6701

Infrared Conference Host



Description

Welcome to use the digital IR conference system. This system is an infrared conference system with high confidentiality. With full digital control, one system can realize multiple functions. It has multiple speech modes, and can be connected with the video host to realize the functions of video tracking and sign-in. The conference unit uses rechargeable lithium battery, which is convenient and environmentally friendly. It can be charged with a charging box or with an adapter. The system is easy to install and operate, economical and practical, and is the best choice for conference projects.

Features

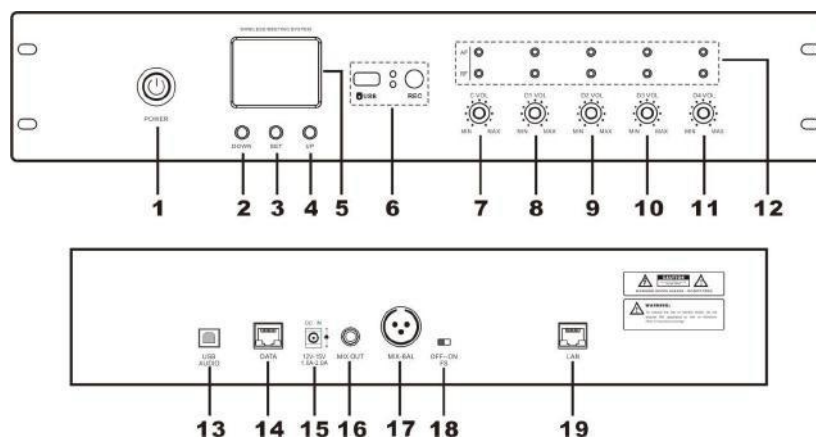
- With high confidentiality, anti-eavesdropping, anti-electromagnetic interference of mobile phones.
- Using infrared light to realize sound signal transmission, with high sound fidelity, high signal-to-noise ratio, and no sound delay. Using a new type of anti-whistling unidirectional high-sensitivity pickup head to make the sound clearer.
- Using infrared wireless mode for the sound signal channel and the control signal channel, eliminating cumbersome laying of cables. With simple wiring, it can be used after power-on, and can be moved freely within the signal coverage.
- Using the independently developed data communication algorithm for conferences, the system response speed is not affected by the number of conference units within the signal range. Users can flexibly increase or decrease the conference units. The factory default single host can be connected to ≤ 1000 speech units for simultaneous conference.
- With multiple conference speaking modes: FIFO (1-2-3-4), Limit (1-2-3-4), and Chairman Only modes. The control host can be connected to an external video host to realize the video tracking function of the conference units of the venue.
- Using special infrared transceiver device, with strong anti-interference ability, connected with and powered by the network cable, no need for additional power supply.

- Powered by a large-capacity lithium battery, it can provide more than 6 hours of continuous speaking time and more than 25 hours of standby time; it has two charging modes, including direct charging and using a charging box, with intelligent charging management circuit to effectively protect the battery and prolong the battery life and ensure safety.
- With large-screen LCD display. The hierarchical menu design makes the operation simple and convenient. And there are many functions such as power display and under-voltage warning, frequency channel and signal indication.
- The control host adopts an all-metal structure design, which is solemn and elegant; the conference units are made of engineering plastic material and novel appearance design, which is beautiful and decent.

Specifications

Model	D6701
Communication Mode	IR Wireless Mode
Number of Channels	5 channels
Frequency Range	2MHz-3MHz
Demodulation Method	FM/FSK
Receiving Sensitivity	-100dBm
Output Level	0dBV/+6dBV
Frequency Response	80Hz-12KHz
SNR	>82dB
Distortion	<0.5%
IR Transmission Distance	≥10m
Power Supply	AC110V 50Hz-60Hz / AC220V 50Hz-60Hz
Power Consumption	<10W
Working Temperature	0°C-40°C
Dimensions	484×377×85mm
Weight	8kg

Front / Rear Panel



1. Power Switch (POWER)
2. Set/View Channel Frequency (DOWN)
3. Set Button (SET)
4. Set/View Channel Frequency (UP)
5. LCD Display Screen (Display the current mode and the frequency of each audio channel)
6. Recording Module (Used as USB recording)
7. Chairman MIC Volume Control
8. Delegate MIC1 Volume Control
9. Delegate MIC2 Volume Control
10. Delegate MIC3 Volume Control
11. Delegate MIC4 Volume Control
12. Communication Connection Indicator & Level Display (The first channel is only used by the chairman's microphone, while the latter four channels are randomly occupied by the delegate microphones.)
13. Control Host DSP Sound Effect Control Interface (USB AUDIO)
14. Data Interface (DATA, connected to a video host)
15. DC Power Socket
16. Audio Mixing Output (MIX OUT)
17. Audio Mixing Balanced Output Port (MIX-BAL)
18. System Frequency Shift Function Switch (FS OFF/ON)
19. Infrared Antenna Transceiver Connection Port

System Diagram

